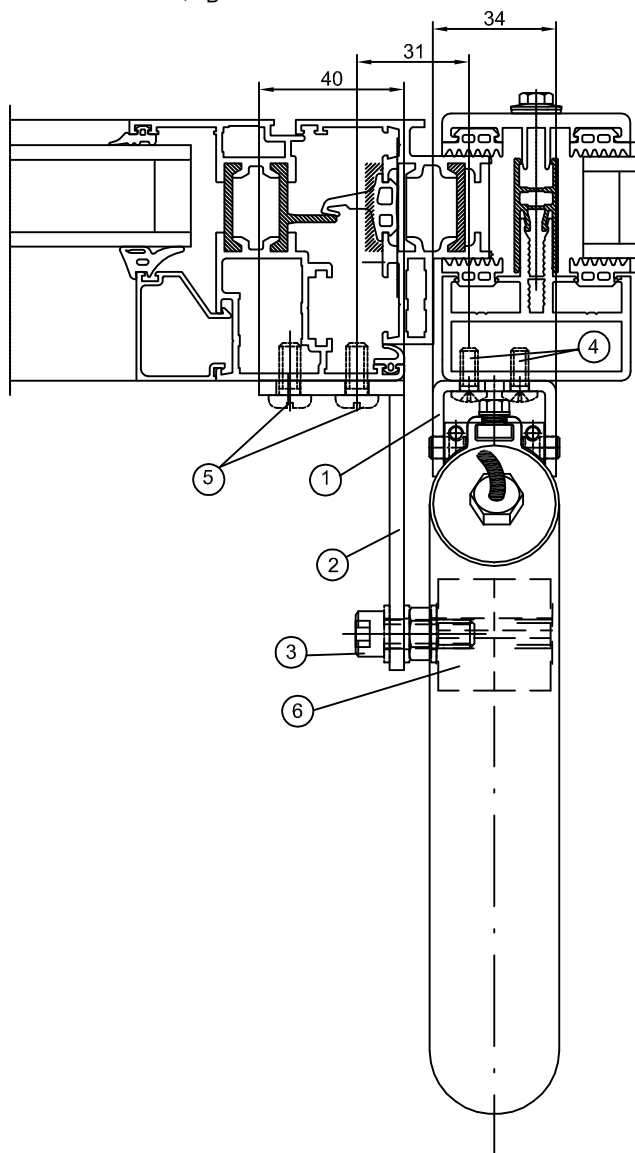
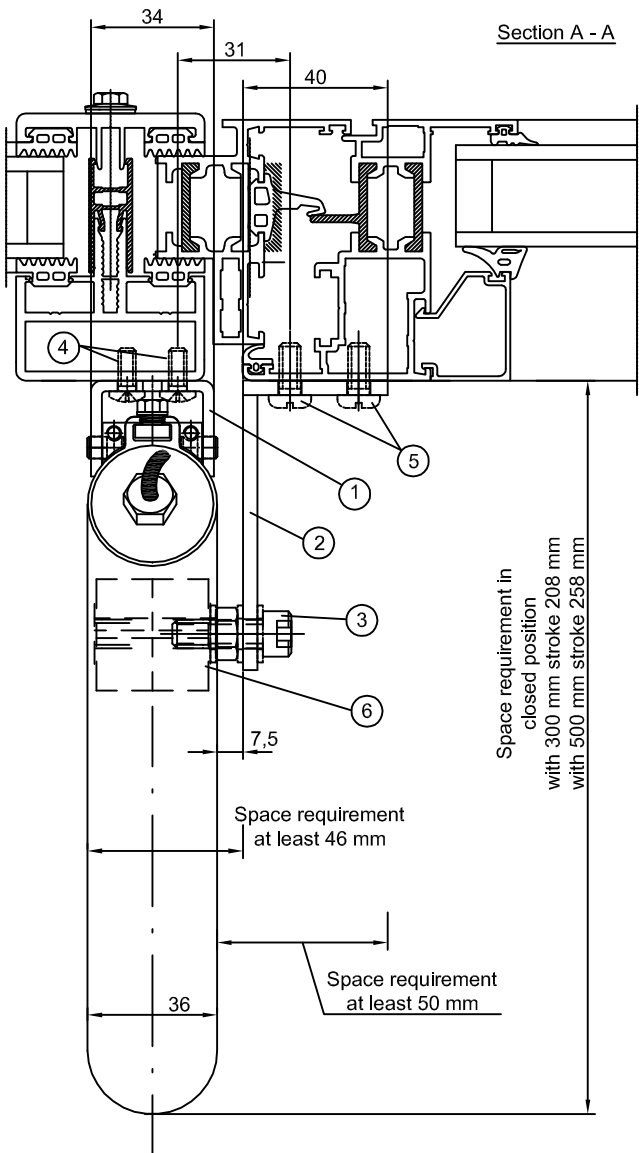
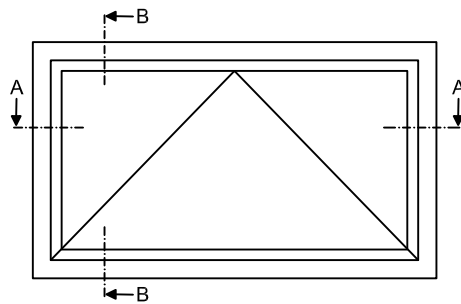


Connection cable for 24 V DC
3 x 0,75 mm² silicon cable, light grey,
length 2.000 mm

Shown application e.g. together with a safety
cut-off module, type SM 24



Bracket set for slit actuator
composed of:
bracket, type HK-L ① for the
rear bearing and one mounting
angle, type AW-80-S ②

Fixing bolts for each actuator
provided by the customer:
5 pc. e.g lens head screws
M5 x 16 mm ④
4 pc. e.g. cylinder head screws
M6 x 16 mm ⑤

The mounting angle can be mounted at the left and / or the right side of the bracket insertion block ⑥.
Fix the mounting angle ③ with a socket screw (with screw locking lacquer), grommets and a hexagon nut.

©copyright SIMON RWA Systeme GmbH

SIMON RWA Systeme GmbH
Medienstr.8
94036 Passau
Tel. 0851/98870-0
Fax. 0851/83070
Internet: www.simon-rwa.de
e-mail: info@simon-rwa.de

Mounting example
2 slit actuators, type EA-L-S
at inward opening bottom hung wings,
mounted sidewise



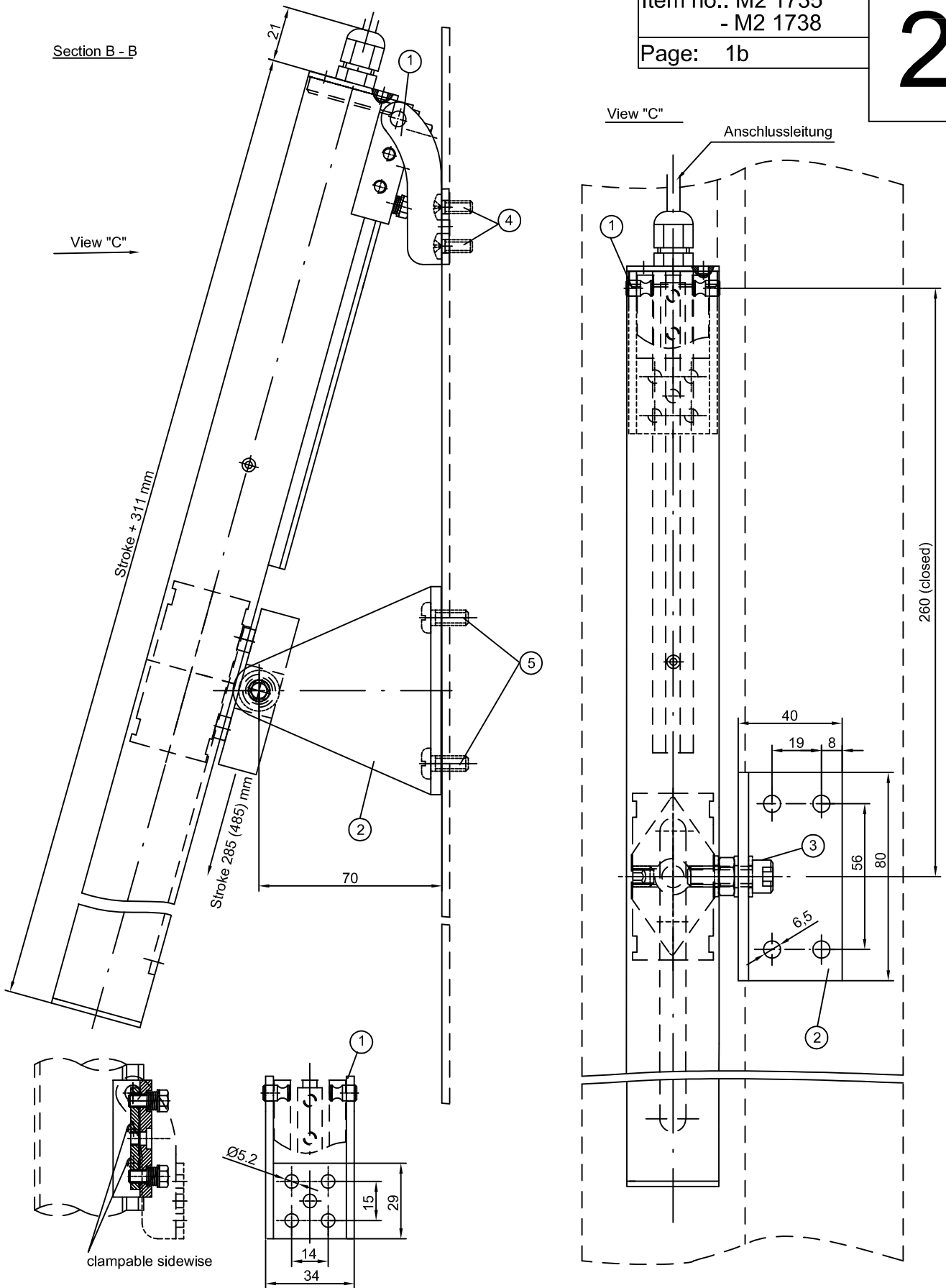
	Name	Date
Editor:	H.Hammerl	04-02-04
File:	t:\cad\td\englisch\2\ea-l-s\le-ea-l-s1.dwg	
Edition:	A	

Section B - B

View "C"

View "C"

Anschlussleitung



For guide values for positioning the actuator please see the diagramm "opening angle - distance to the hinge (page 3)"!

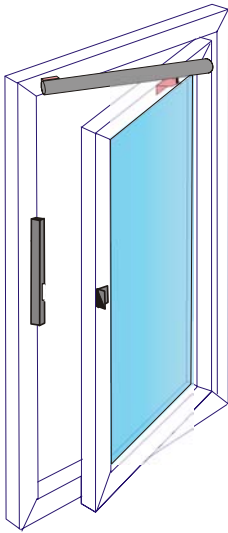
©copyright SIMON RWA Systeme GmbH

SIMON RWA Systeme GmbH
 Medienstr.8
 94036 Passau
 Tel. 0851/98870-0
 Fax. 0851/83070
 Internet: www.simon-rwa.de
 e-mail: info@simon-rwa.de

Mounting example
 Mounting assembly and
 specifications for brackets

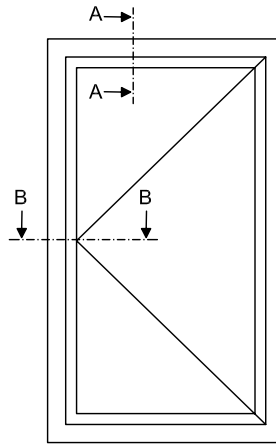


	Name	Date
Editor:	H.Hammerl	04-02-04
File:	t:\cad\td\englisch\2\lea+sle-ea-s1.dwg	
Edition:	A	



Connecting cable for 24 V DC
3 x 0,75 mm² silicone cable, light grey,
length 2.000 mm for connecting to the
supplementary electric locking.

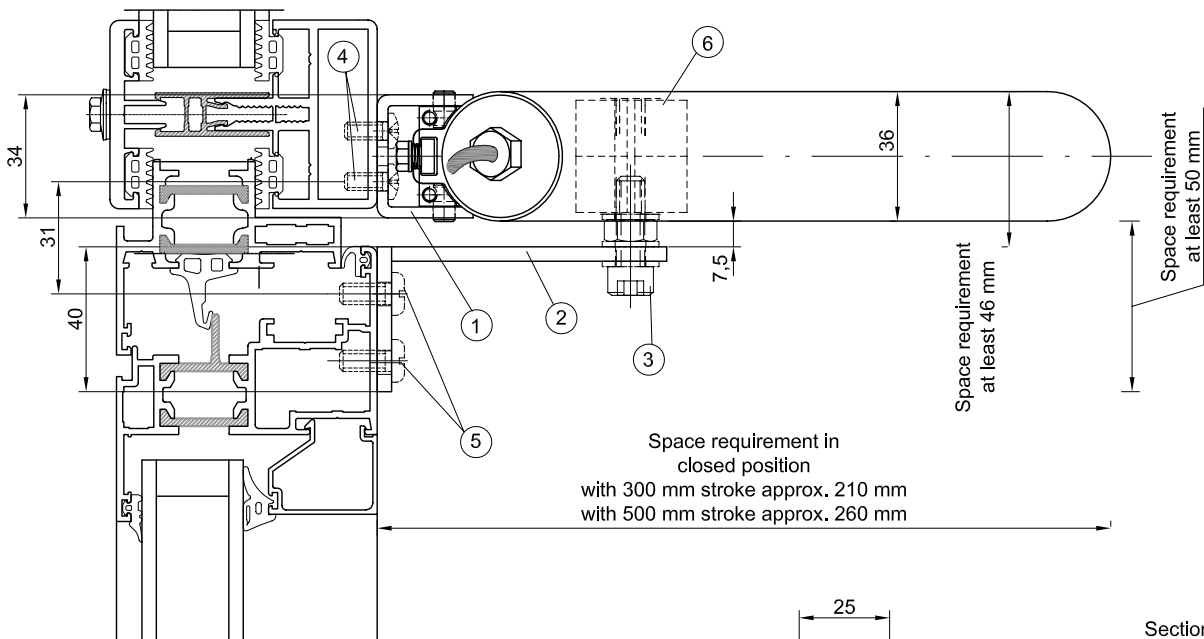
Feed cable 24 V DC to towards the
supplementary electric locking,
e.g. SIHF 5 x 0,75 mm².



Bracket set for the slit actuator
composed of:
bracket, type HK-L, ① for the
rear bearing and a mounting
angle, type AW-80-S ②

Fixing bolts by the customer per actuator:
5 pc. e.g. lens head screws
M5 x 16 mm ④
4 pc. e.g. cylinder head screws
M6 x 16 mm ⑤

Section A - A

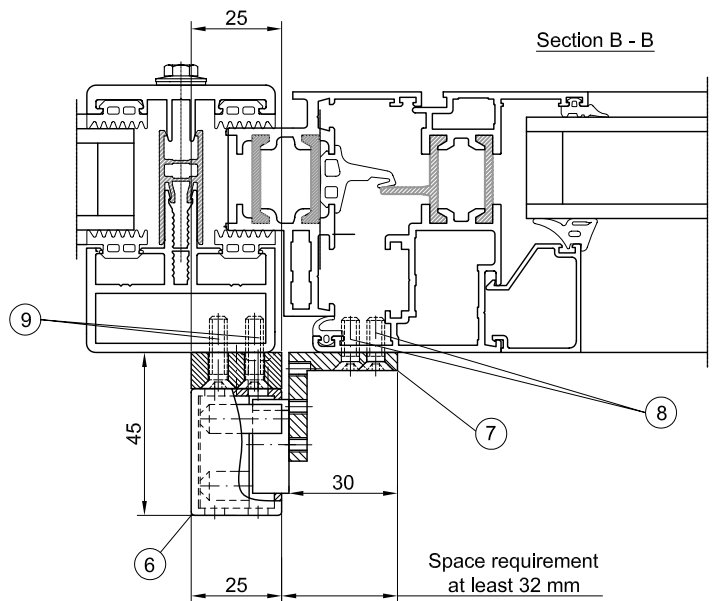


Section B - B

Depending on the mounting option of the actuator the
mounting angle ② is to be mounted at the left or the right side
of the bracket insertion block ⑥.
The fixing of the mounting angle ③ is to be done with a
socket screw M8 x 25 mm (with screw locking lacquer),
grommets and a hexagon nut M8.

Supplementary electric locking,
type ZVE-UNI composed of:
locking housing ⑥
and locking angle ⑦

Fixing bolts per supplementary locking
provided by the customer:
4 pc. e.g. counter sunk bolts
M5 x 20 mm ⑨
2 pc. e.g. counter sunk bolts
M5 x 12 mm ⑧



For further information to electric lockings please see technical details "B5 6105/sheet 1"

©copyright SIMON RWA Systeme GmbH

SIMON RWA Systeme GmbH
Medienstr.8
94036 Passau
Tel. 0851/98870-0
Fax. 0851/83070
Internet: www.simon-rwa.de
e-mail: info@simon-rwa.de

Mounting example
1 Slit actuator, type EA-L-S
mounted together with a supplementary
electric locking, type ZVE-UNI at an
inward opening side hung window



	Name	Date
Editor:	H.Hammerl	04-02-25
File:	t:\cad\td\2\ea-l-s-2003\ea-l-s2.dwg	
Edition:	A	