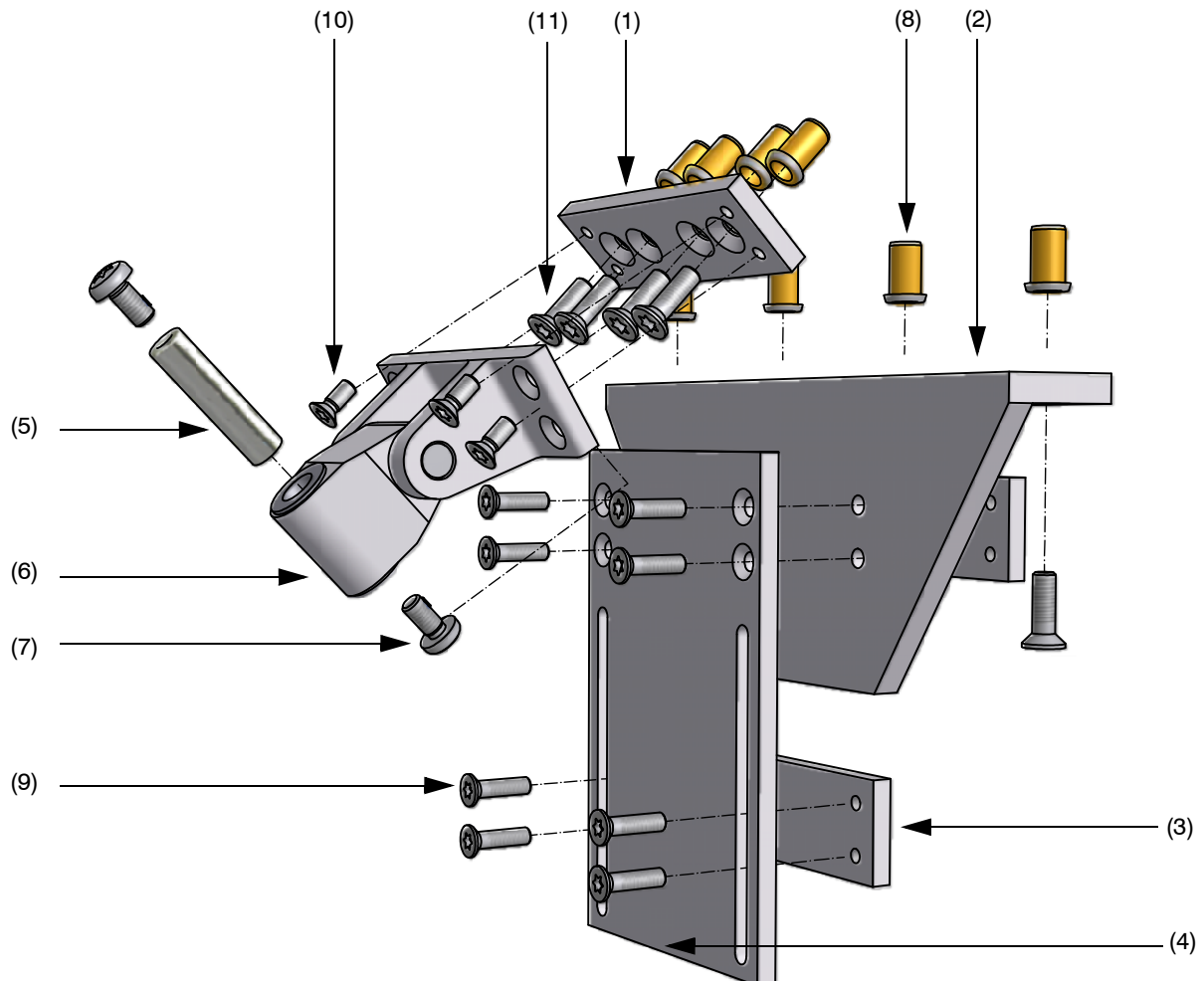


Item list



- (1) Adapter plate
- (2) Mounting angel
- (3) Threaded plate
- (4) Adapter item „F“
- (5) Bracket wave
- (6) Preassembly bracket „M“ above
- (7) Flat headed screw, coated, DIN 7380-M6-12-TX-A2-TL
- (8) Blind rivet nut with collar, M6x15,5-vz
- (9) Countersunk screw, DIN 965-M5x20-TX-A2
- (10) Countersunk screw, DIN 965-M5x12-TX-A2
- (11) Countersunk screw, DIN 965-M6x20-TX-A2

Mounting example K-KL²-M(S)-ESCO

Mounting on the closing edge of a Yawal window profile, opening outside

